

- T1 Power Transformer TF-135P
- T2 Output Transformer TF-531-0
- T3 Auto Transformer - 8 ohm, 16 ohm TF-130A
- L1 Filter Choke TF-3021H

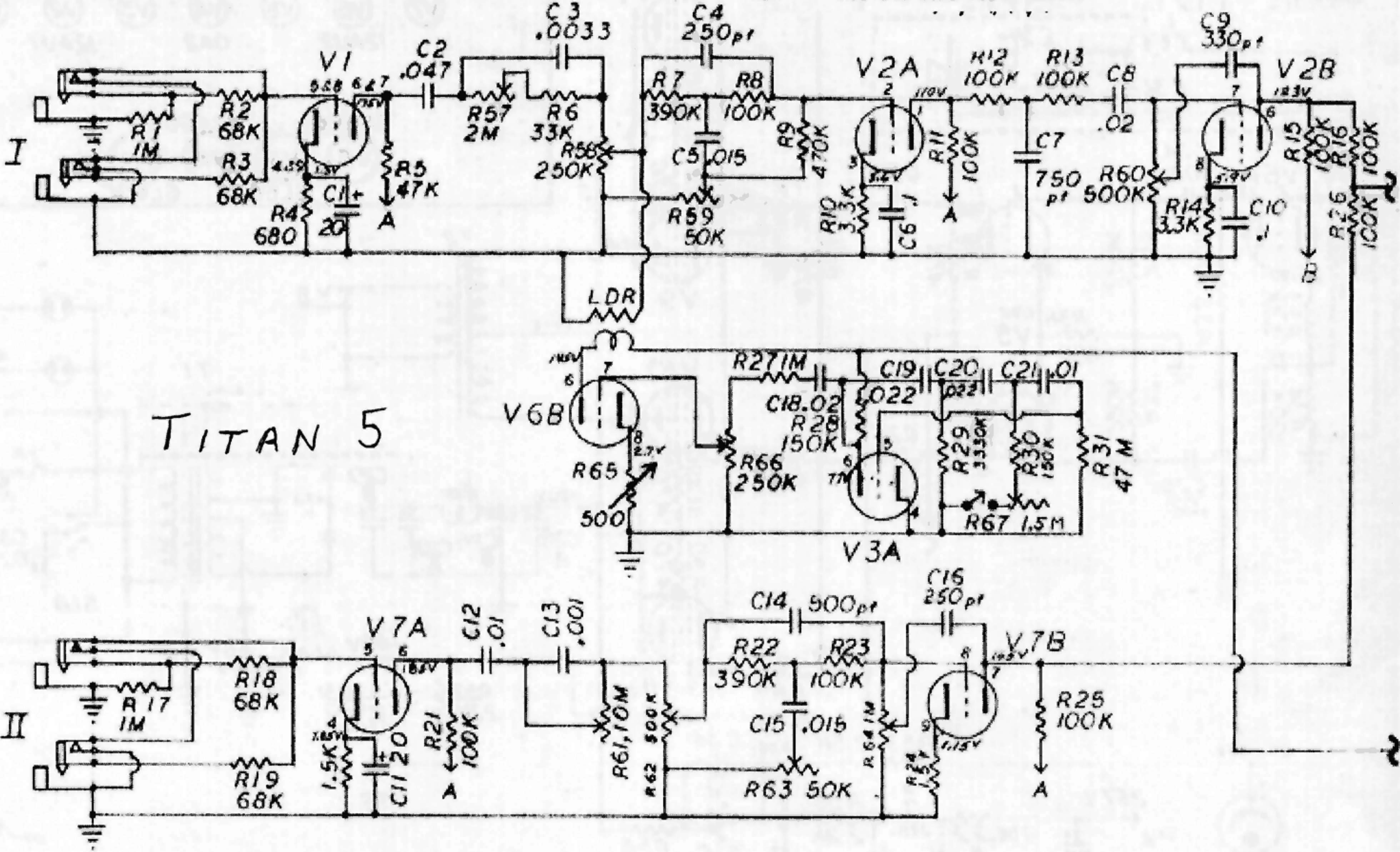
L1, L2 Inductances 3.7 mh

S1 Switch - off, standby, on-on SW-78

LDR-1 Light Dependent Resistor Lamp Assembly RE-LDR-430G

- (2) Speakers, 10" 8 ohm for Titan 3 S-12197
- (1) Speaker, 15" 16 ohm for Titan 3 S-0128
- (2) Speakers, 15" 16 ohm for Titan 5 D-130F
- (2) Speakers, 12" 8 ohm for Titan 1 S-7414-2

- R63, R59 50K Audio Taper (mid-control) control C-BA-811-3703
- R61 10 meg reversed audio (bass) control C-BA-811-3710
- R58, R66 250K audio taper (volume & depth) control C-BA-811-3701
- R57 2 meg reversed audio (bass) control C-BA-811-3751
- R62, R60 500K audio taper (volume & treble) control C-BA-811-3707
- R64 1 meg audio taper (treble) control C-BA-811-3708
- R67 1.5 meg reversed audio (frequency) control C-BA-811-3711
- R65 500 ohm wire wound control C-B-23391



TITAN 5